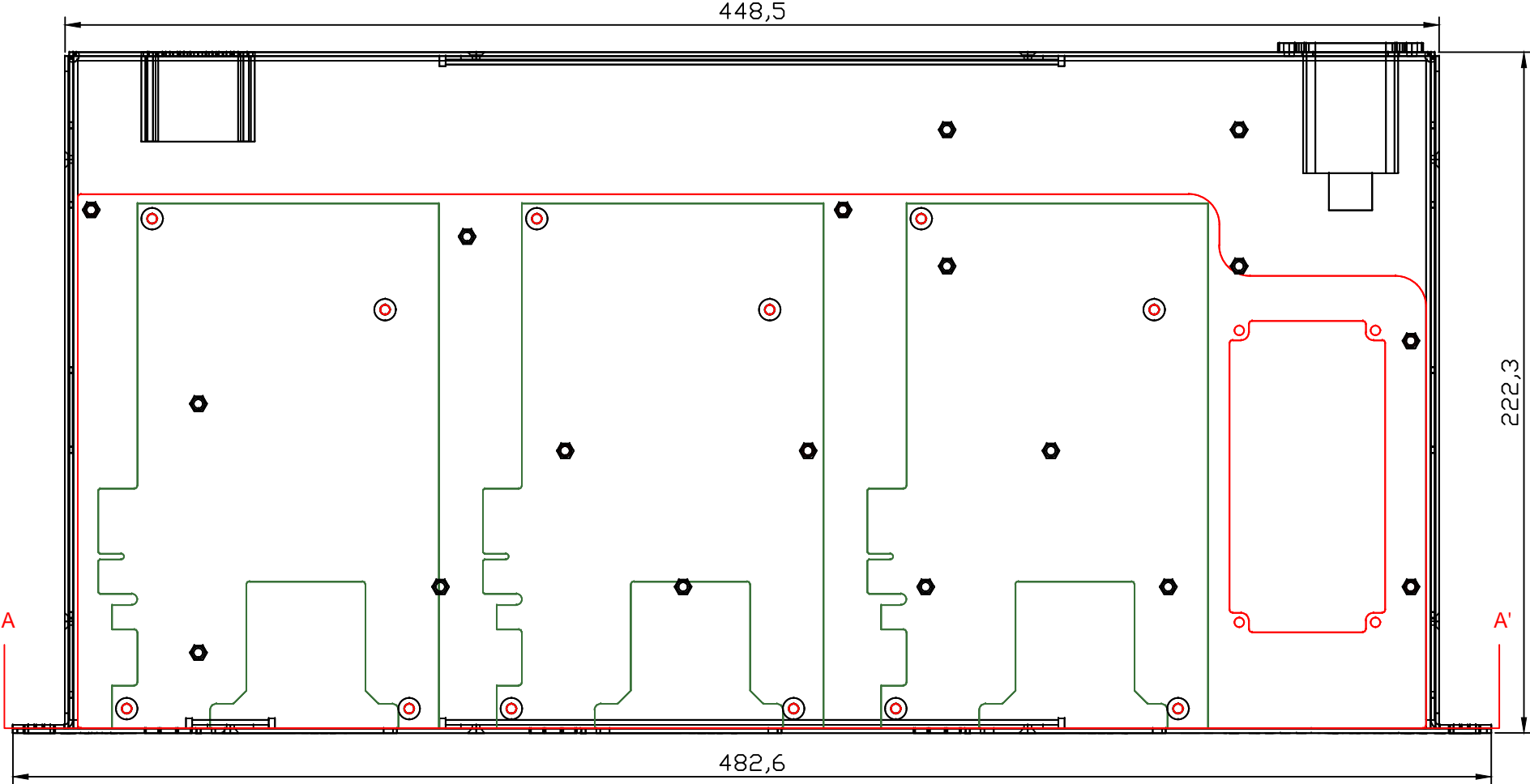
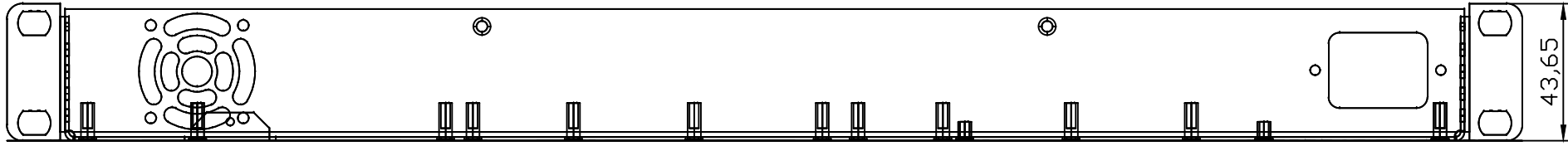
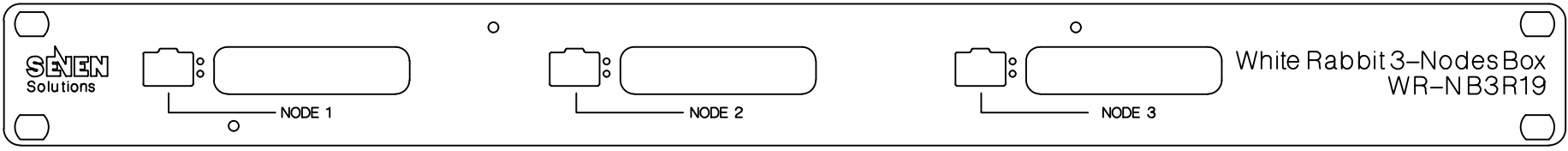


SECTION A-A'  
E 1/2



FRONT VIEW - E 1/2



SPECIFICATIONS:

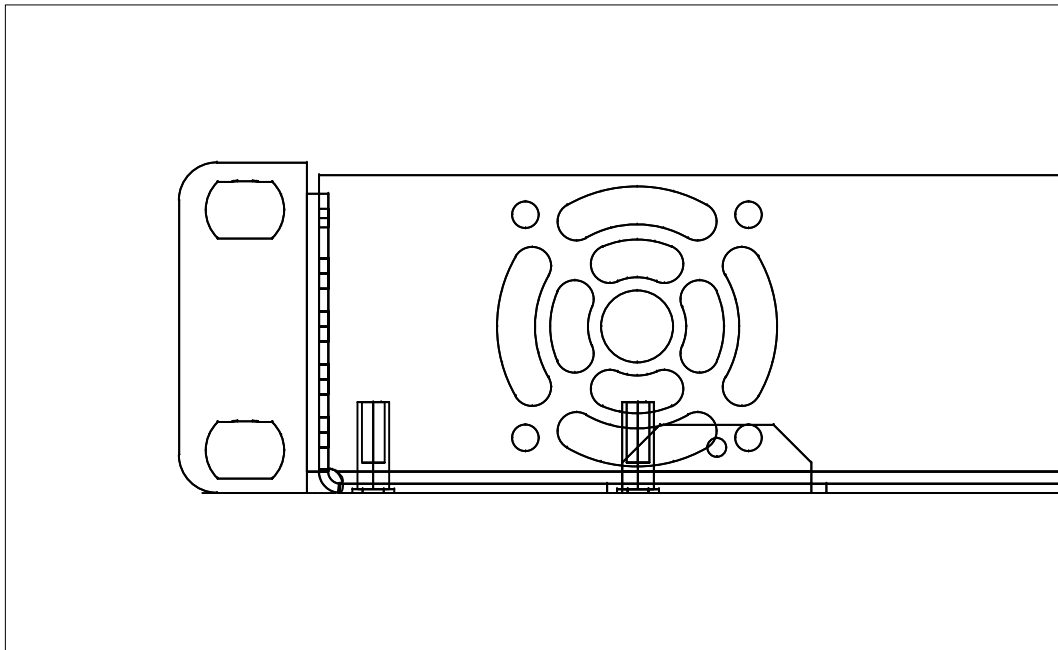
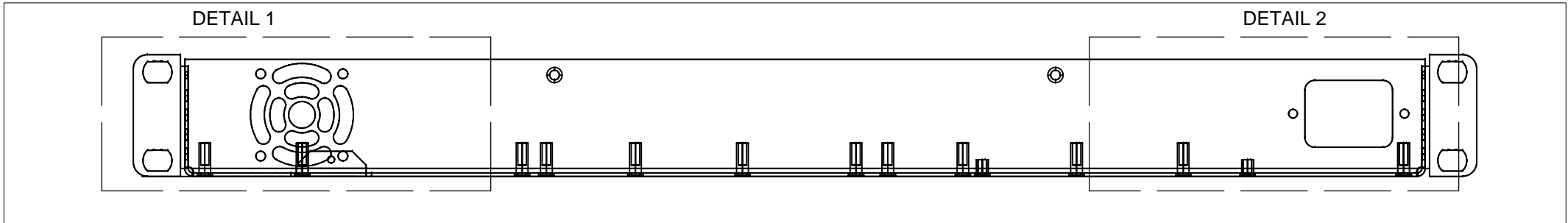
Material of construction: Steel DC03 of 1.2 mm thick  
Color: RAL 9002  
Front Panel: white/black acrylic glass  
Tolerances: 0.2 mm

**Seven Solutions & CIC-UGR**

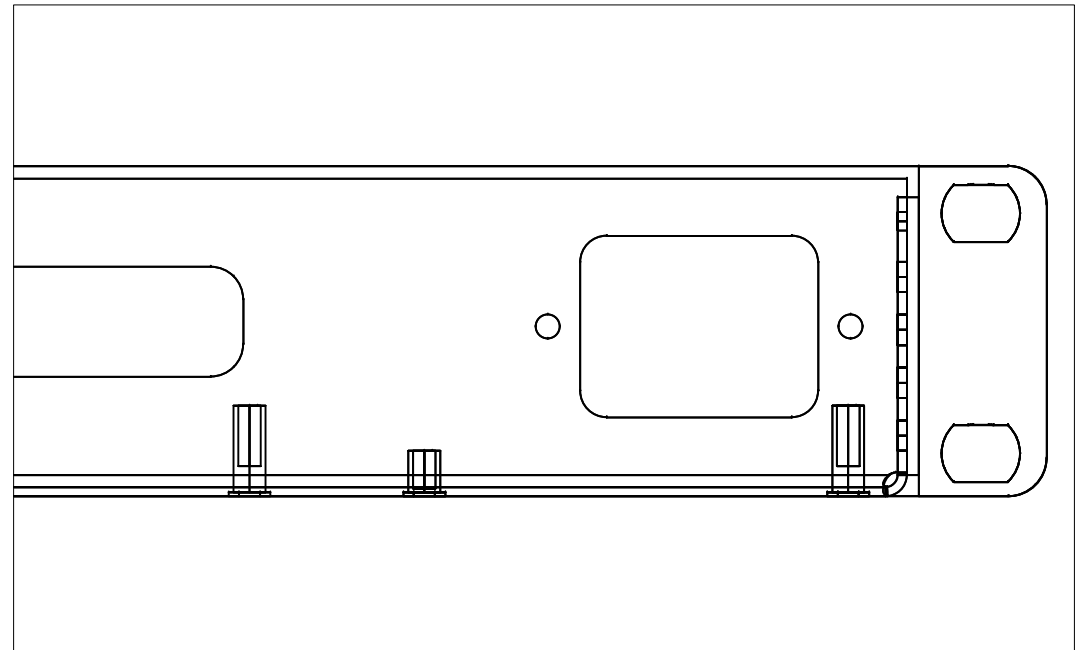
<b>Project: WHITE RABBIT</b>	
Designed by: Rodrigo Agis & M <sup>a</sup> Dolores Gándara	
Top View - E 1/2	Section A-A' E 1/2
Front View - E 1/2	
V1.0	15-11-2013 <a href="http://www.sevensols.com">http://www.sevensols.com</a>



FRONT VIEW E 1/2



DETAIL1  
E 1/1

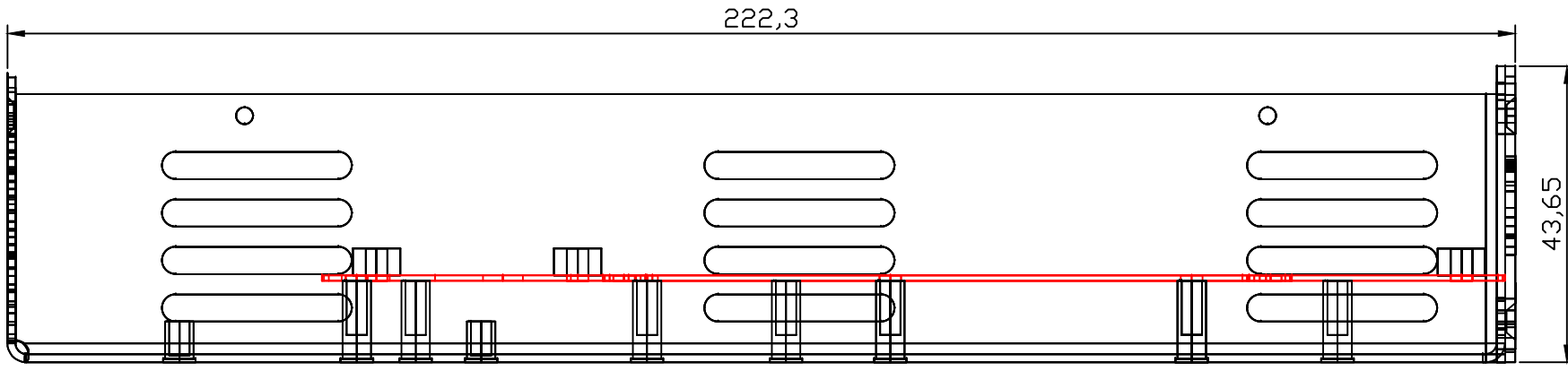


DETAIL 2  
E 1/1

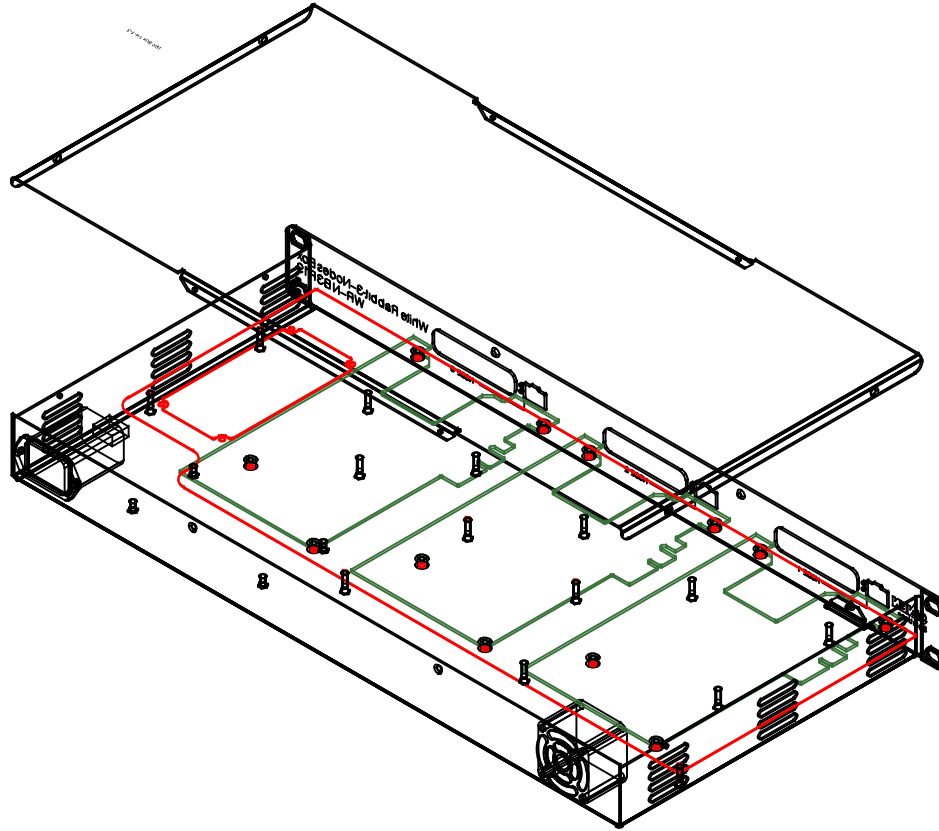
**SPECIFICATIONS:**  
 Material of construction: Steel DC03 of 1.2 mm thick  
 Color: RAL 9002  
 Front Panel: white/black acrylic glass  
 Tolerances: 0.2 mm



<b>Seven Solutions &amp; CIC-UGR</b>		
<b>Project: WHITE RABBIT</b>		
Designed by: Rodrigo Agis & M <sup>a</sup> Dolores Gándara		
Front View - E 1/2		Detail 1 - E 1/1
Detail 2 - E 1/1		
V1.0	15 -11 - 2013	<a href="http://www.sevensols.com">http://www.sevensols.com</a>



RIGHT VIEW  
E 1/1



BACK ISOMETRIC VIEW



**Seven Solutions & CIC-UGR**

Project: **WHITE RABBIT**

Designed by: **Rodrigo Agis & M<sup>ra</sup> Dolores Gándara**

Right View - E 1/1

Back isometric view - Detail 1 E:1/1

V1.0

15 - 11 - 2013

<http://www.sevensols.com>

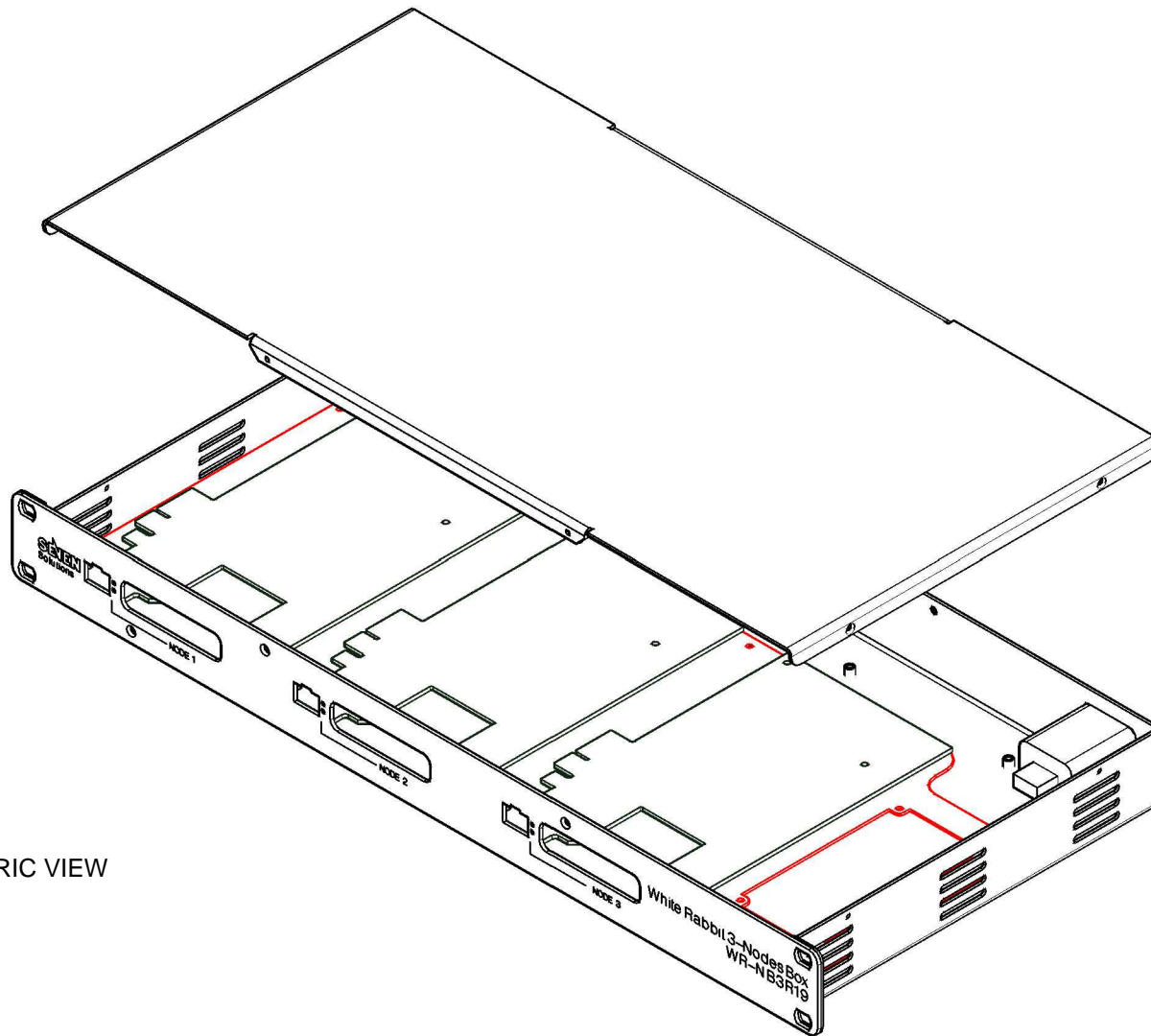
**SPECIFICATIONS:**

Material of construction: Steel DC03 of 1.2 mm thick

Color: RAL 9002

Front Panel: white/black acrylic glass

Tolerances: 0.2 mm



FRONT ISOMETRIC VIEW

**SPECIFICATIONS:**

Material of construction: Steel DC03 of 1.2 mm thick  
 Color: RAL 9002  
 Front Panel: white/black acrylic glass  
 Tolerances: 0.2 mm



**Seven Solutions & CIC-UGR**

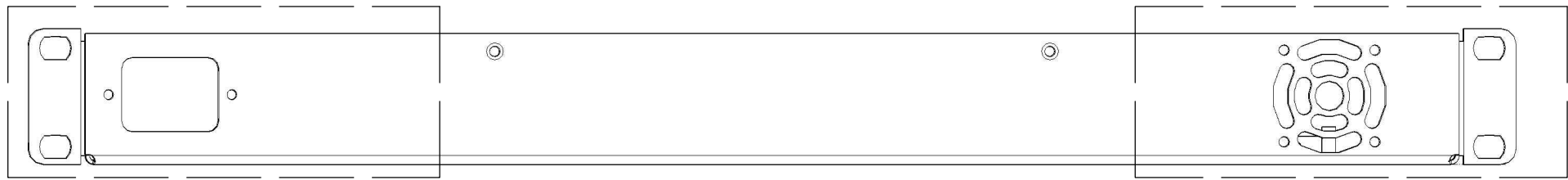
**Project: WHITE RABBIT**  
 Designed by: Rodrigo Agis & M<sup>a</sup> Dolores Gándara

Front Isometric View

V1.0

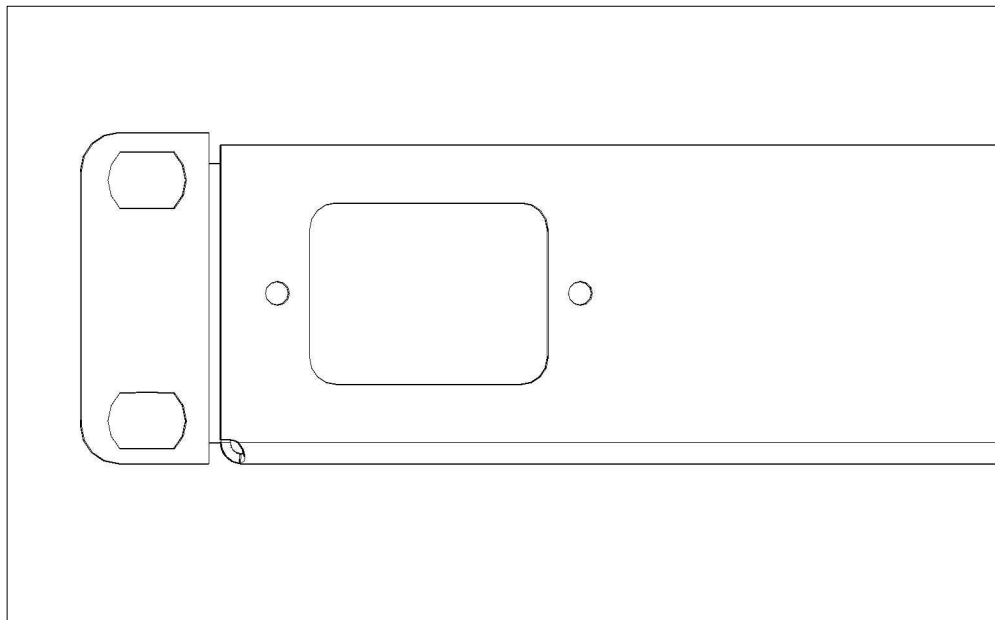
15 -11 - 2013

<http://www.sevensols.com>

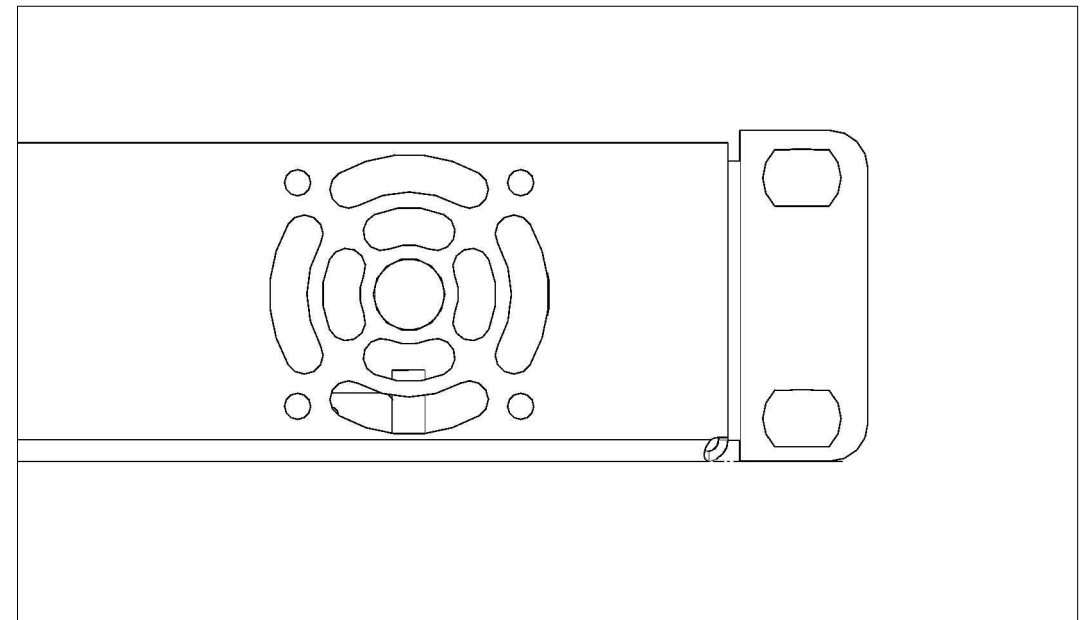


DETAIL 1

DETAIL 2



DETAIL1  
E 1/1



DETAIL2  
E 1/1

**SPECIFICATIONS:**

Material of construction: Steel DC03 of 1.2 mm thick  
 Color: RAL 9002  
 Front Panel: white/black acrylic glass  
 Tolerances: 0.2 mm



**Seven Solutions & CIC-UGR**

**Project: WHITE RABBIT**

**Designed by: Rodrigo Agis & M<sup>a</sup> Dolores Gándara**

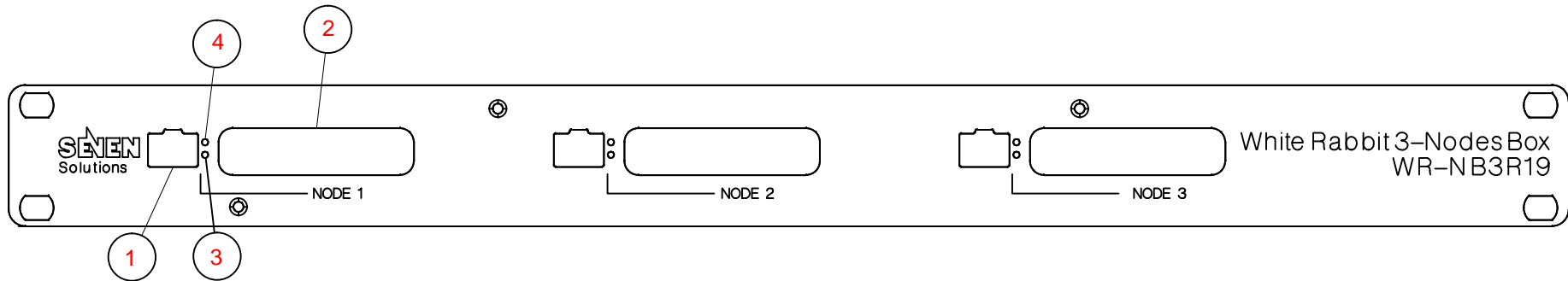
Back View E:1/2  
 Detail 1 E:1/1 Detail 2 E:1/1

V1.0

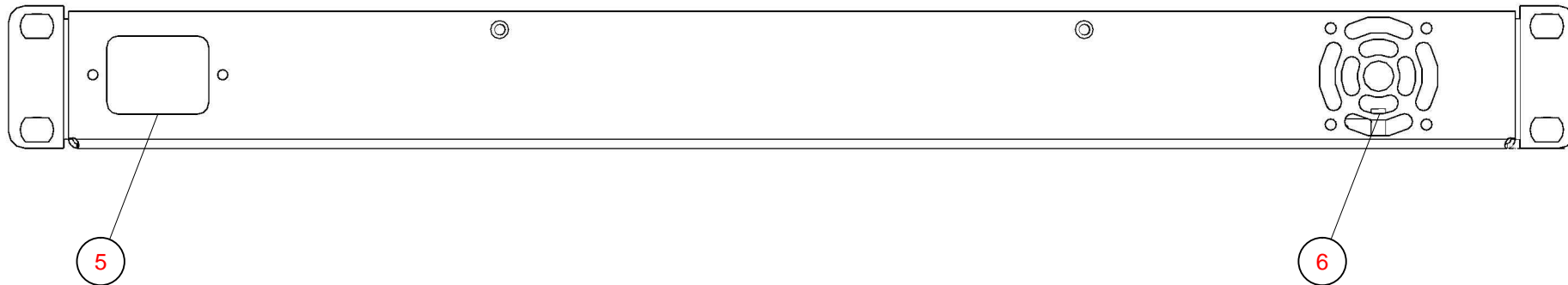
15 - 11 - 2013

<http://www.sevensols.com>

FRONT VIEW - E 1/2



BACK VIEW - E 1/2



SPECIFICATIONS:

Material of construction: Steel DC03 of 1.2 mm thick  
 Color: RAL 9002  
 Front Panel: white/black acrylic glass  
 Tolerances: 0.2 mm



**Seven Solutions & CIC-UGR**

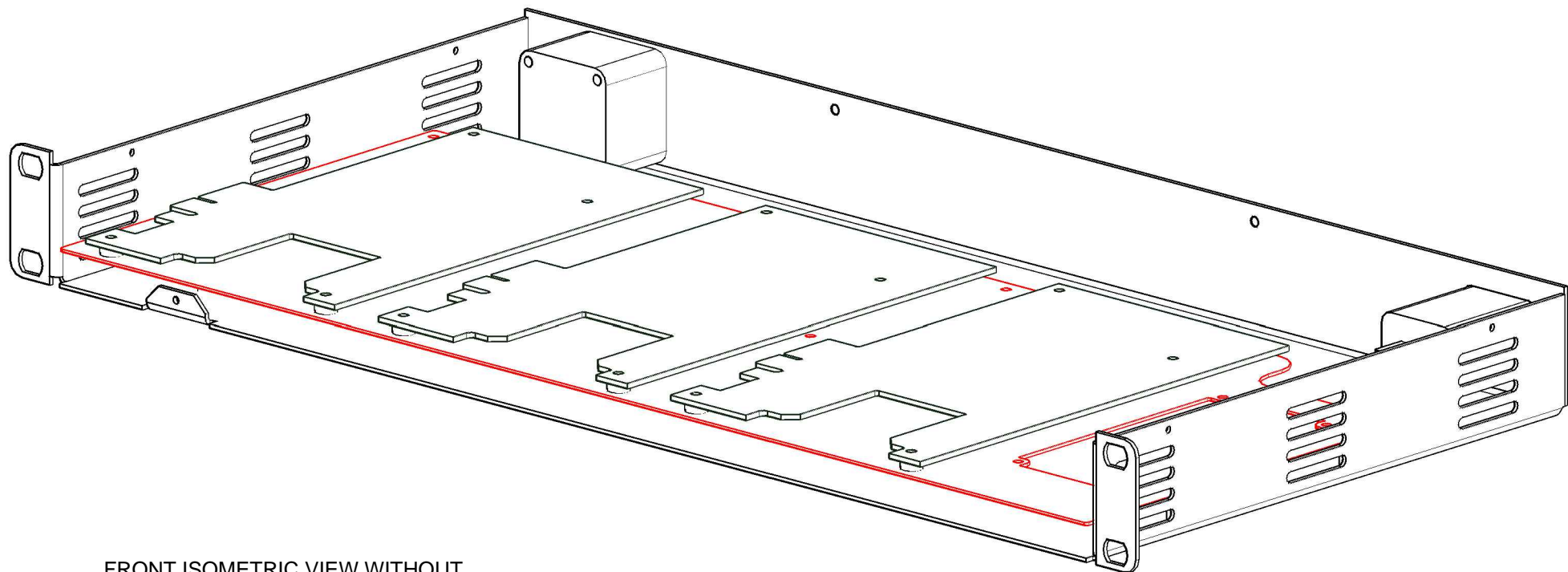
**Project: WHITE RABBIT**  
 Designed by: Rodrigo Agis & M<sup>a</sup> Dolores Gándara

Front Isometric View

V1.0

15 -11 - 2013

<http://www.sevensols.com>



FRONT ISOMETRIC VIEW WITHOUT  
COVER PANEL AND FRONT PANEL

**SPECIFICATIONS:**

Material of construction: Steel DC03 of 1.2 mm thick  
 Color: RAL 9002  
 Front Panel: white/black acrylic glass  
 Tolerances: 0.2 mm



**Seven Solutions & CIC-UGR**

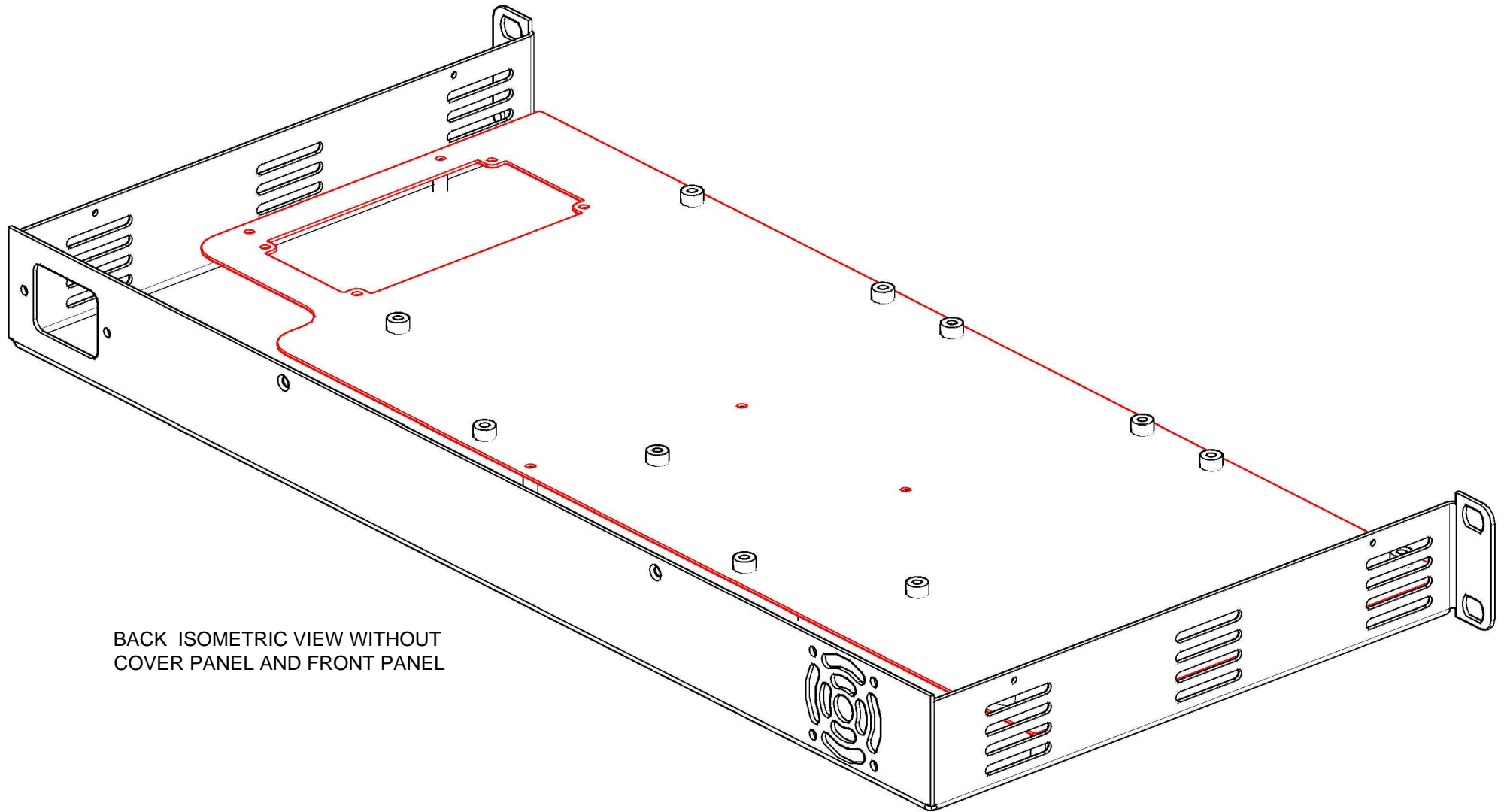
**Project: WHITE RABBIT**  
 Designed by: Rodrigo Agis & M<sup>a</sup> Dolores Gándara

Front Isometric View without  
cover panel and front panel

V1.0

15 -11 - 2013

<http://www.sevensols.com>



BACK ISOMETRIC VIEW WITHOUT COVER PANEL AND FRONT PANEL

**SPECIFICATIONS:**

Material of construction: Steel DC03 of 1.2 mm thick  
 Color: RAL 9002  
 Front Panel: white/black acrylic glass  
 Tolerances: 0.2 mm



**Seven Solutions & CIC-UGR**

**Project: WHITE RABBIT**  
 Designed by: Rodrigo Agis & M<sup>a</sup> Dolores Gándara

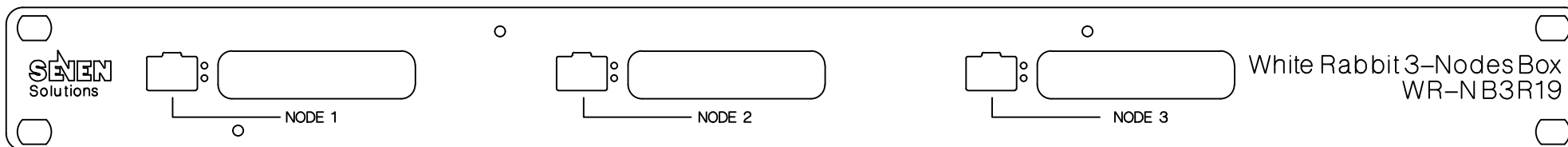
Back Isometric View without cover panel and front panel

V1.0

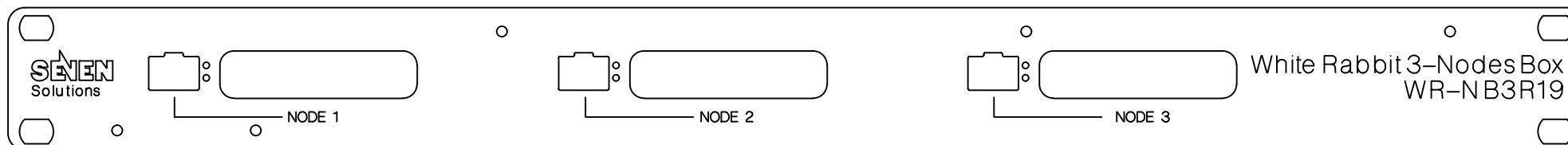
15 -11 - 2013

<http://www.sevensols.com>





Compatible with versions Early to WR Box V4-1-3



WR Box V4-1-3

**SPECIFICATIONS:**

Material of construction: Steel DC03 of 1.2 mm thick  
 Color: RAL 9002  
 Front Panel: white/black acrylic glass  
 Tolerances: 0.2 mm



**Seven Solutions & CIC-UGR**

**Project: WHITE RABBIT**

**Designed by: Rodrigo Agis & M<sup>a</sup> Dolores Gándara**

Back Isometric View without  
cover panel and front panel

V1.0

15 -11 - 2013

<http://www.sevensols.com>