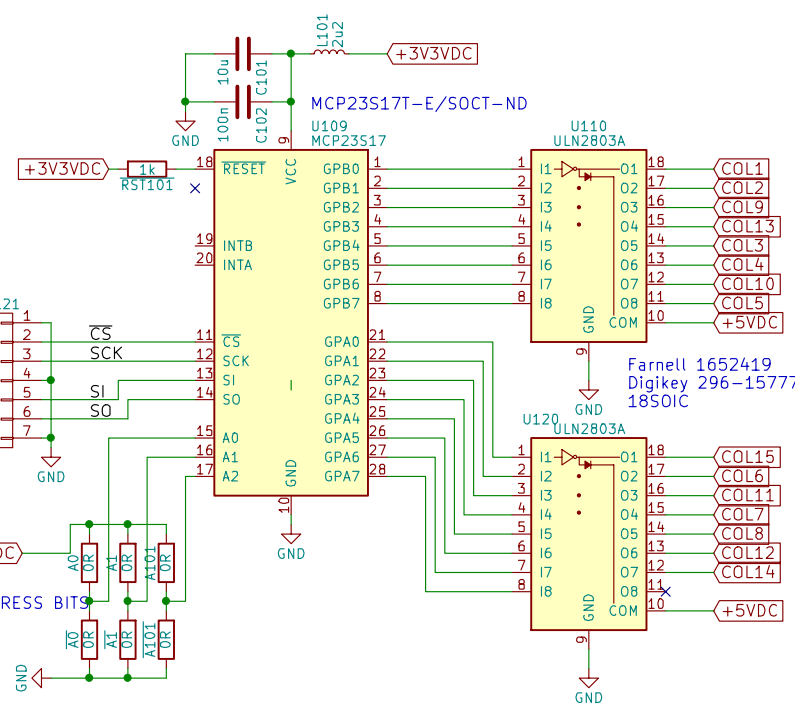


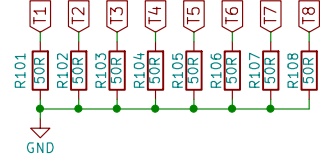
90deg SMT SATA-
Farnell 1519600

SPI BUS on SATA-connector
Farnell 1519600

SPI ADDRESS BITS

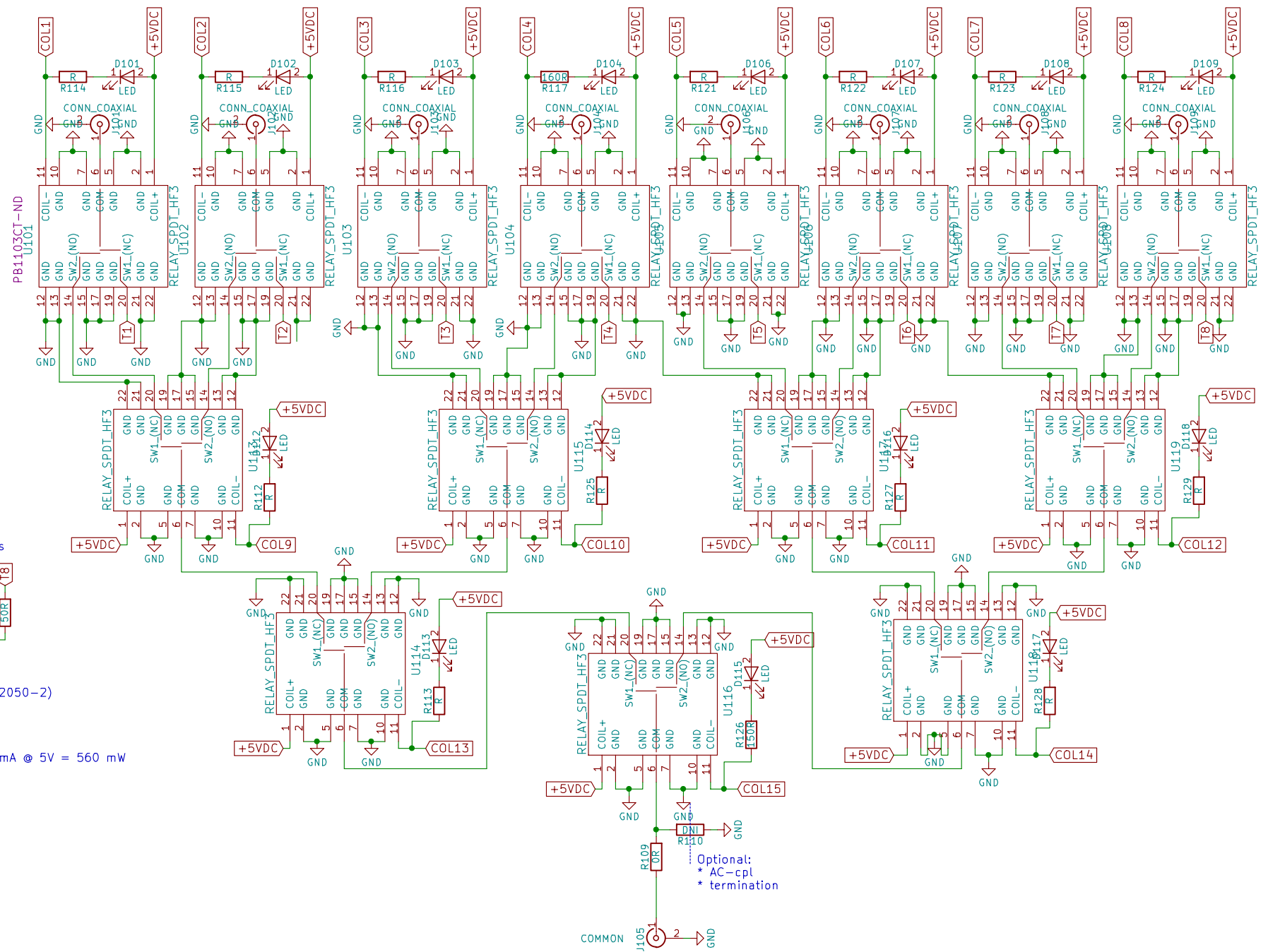


Termination of input NC-ports



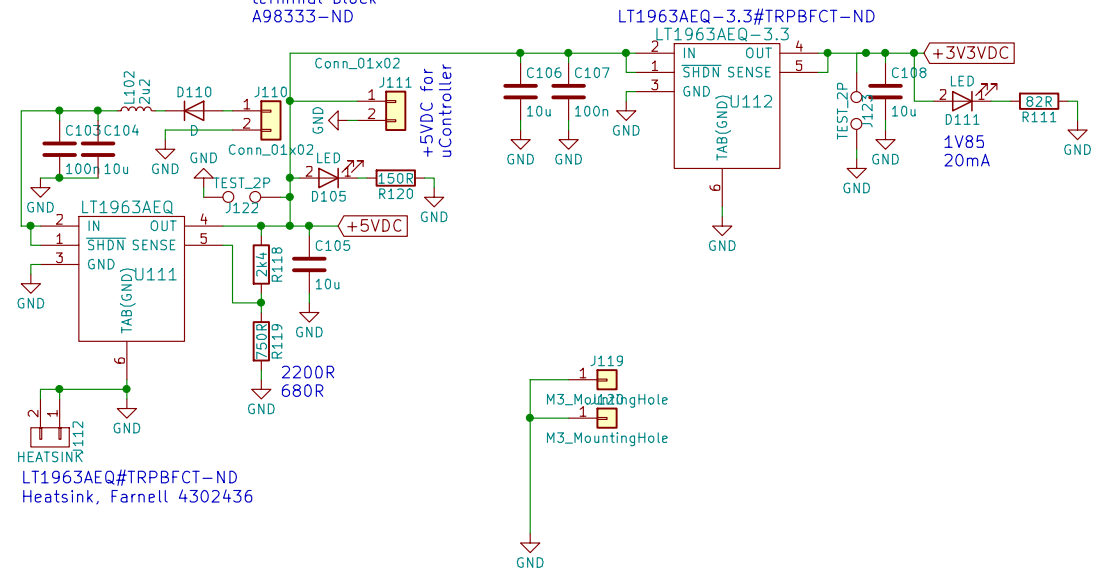
TE HF3 non-latching RF relay (model 1462050-2)
2A SPDT, coil 5VDC 28 mA
Digikay PB1103CT-ND
Coil rating 5 V 140 mW 28 mA
Input - COM routing: 4 relays on -> 112 mA @ 5V = 560 mW
TE HF 353
Farnell 1853178

(Note: TAPR TASS uses:
Omron G6J-2P-Y-DC12)



BNC connector, Farnell 1076295

terminal block
A98333-ND



HEATSINK
LT1963AEQ#TRPBFCT-ND
Heatsink, Farnell 4302436

Copyright Anders E. E. Wallin 2018.
This documentation describes Open Hardware and is licensed under the CERN OHL v.1.2. You may redistribute and modify this documentation under the terms of the CERN OHL v.1.2. (http://ohwr.org/cernohl). This documentation is distributed WITHOUT ANY EXPRESS OR IMPLIED WARRANTY, INCLUDING OF MERCHANTABILITY, SATISFACTORY QUALITY AND FITNESS FOR A PARTICULAR PURPOSE. Please see the CERN OHL v.1.2 for applicable conditions