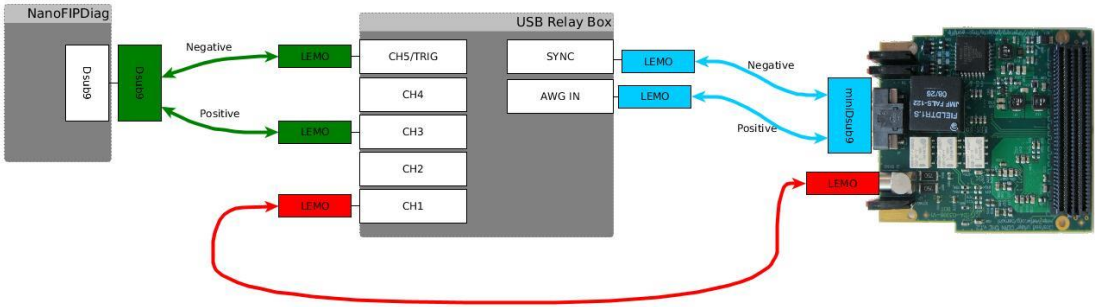


FMC masterFIP

Production Test Suite

Testing Procedure

1	Place the ESD strap on your wrist.
2	Put the barcode sticker on the Top side of the FMC masterFIP under test.
3	Mount the FMC masterFIP under-test on the SPEC board.
4	<p>Connect the FMC masterFIP with the USB relay box and the nanoFIPdiag using the provided cables as indicated in the figure below.</p> 
5	Switch ON the computer and verify that the “Pwr” LED on the SPEC board is ON.
6	After the computer has finished with the booting procedure start the testing by double clicking the “PTSmasterFIP” icon on the desktop.
7	A new terminal window will appear. When asked for sudo password type “ baraka ” and confirm with the [ENTER] button.
8	When prompted, use the barcode reader to scan the board’s barcodes .
9	In test00 verify the FMC masterFIP speed version and resistor mounting.
10	In test01 verify the front panel LEDs operation .
11	The rest of the tests 02-05 do not require any input from the operator. After the test05, the summary of the results is presented.
12	When prompted to repeat the testing: In case of no errors: type [n] and then [ENTER] to quit the test program. In case of errors : type [y] and then [ENTER] to repeat the tests once.
13	When prompted to switch OFF the computer, type [y] and then [ENTER].
14	Unplug the board.